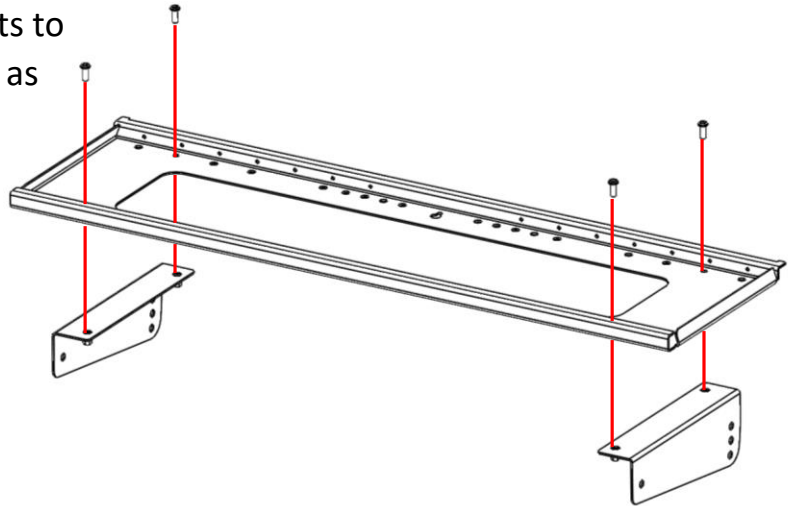


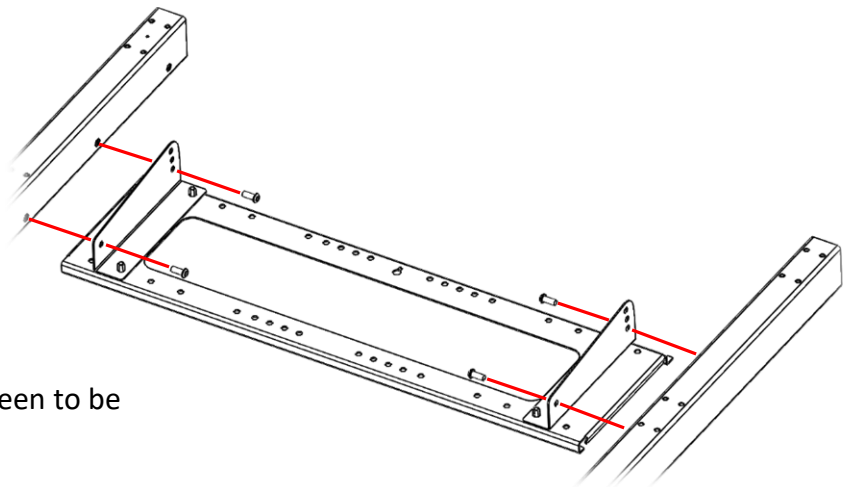
Multi Position Fixed Height – Slimline Wall to Floor 8990

- Max Capacity 130kg - Screens upto 95in - Tilt 0-10 degrees

1. Fix the adjustable position brackets to the back of the VESA mount plate as shown.

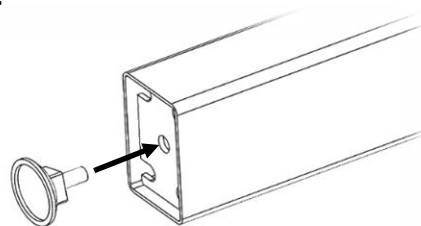


2. Bolt the legs into place with four M8 bolts. Make sure that the bolts are in the correct hole for the angle* you require.

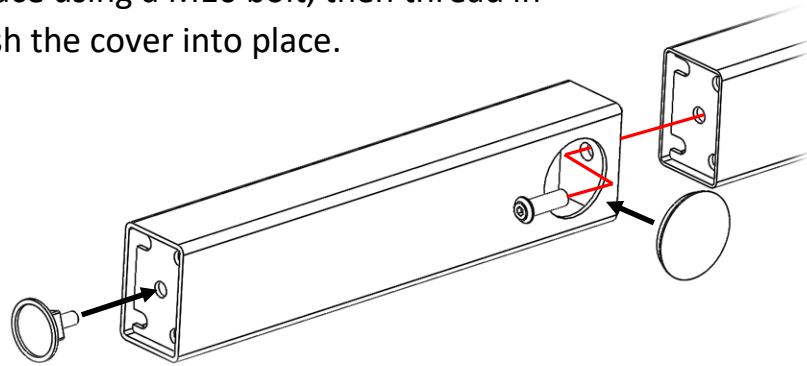


*There are 3 positions which allow the screen to be mounted with 0 or 5 or 10 degrees tilt.

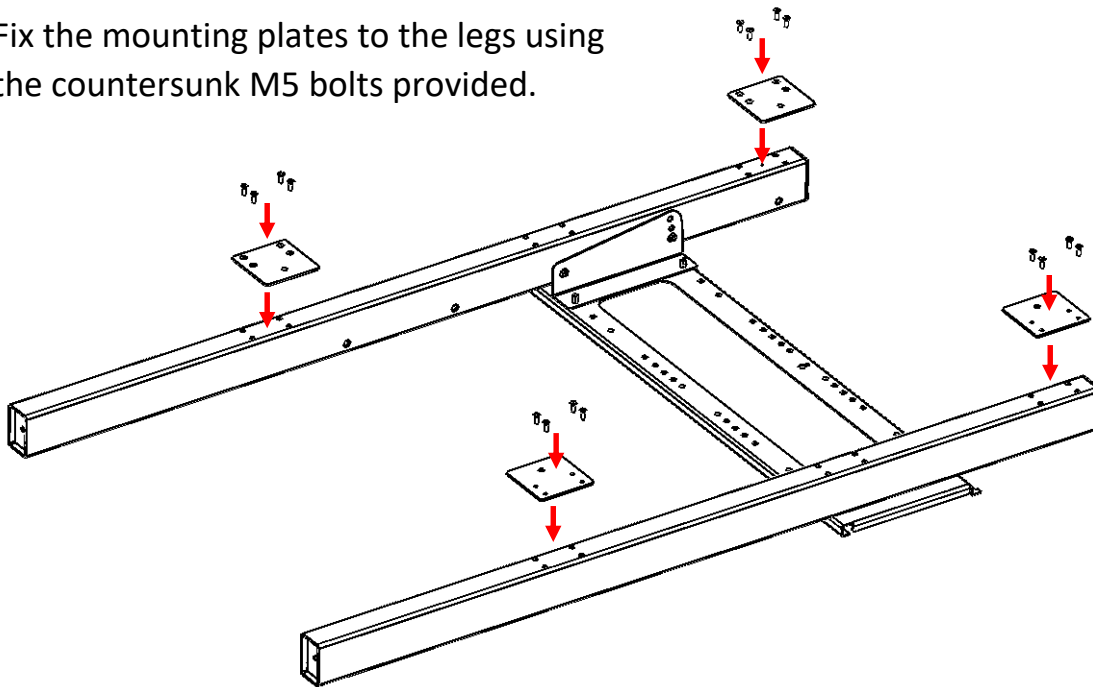
3. Screw an adjustable foot into the bottom of each leg. If using the optional extension legs please see step 3a.



3a. Secure the extensions in place using a M10 bolt, then thread in the adjustable foot and push the cover into place.



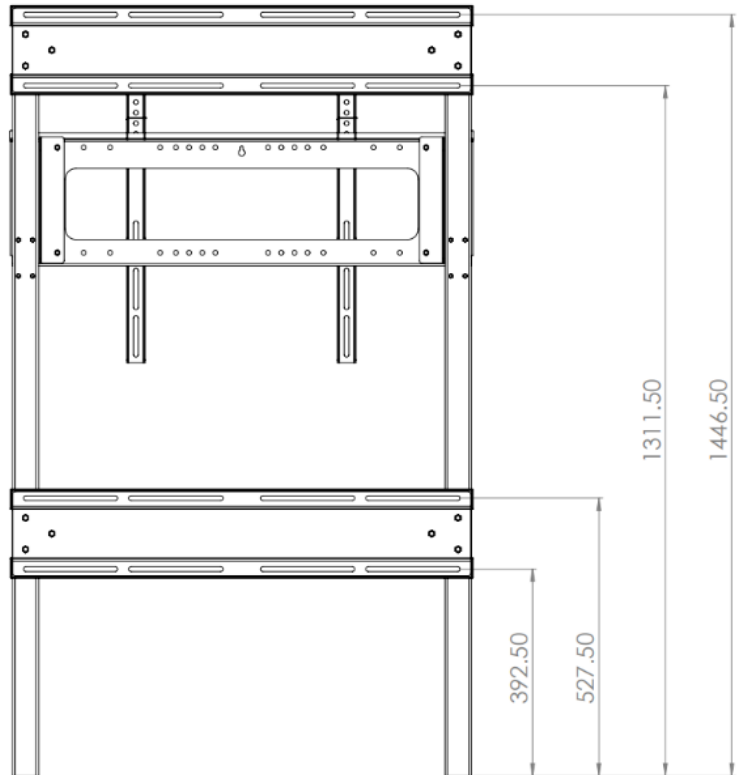
4. Fix the mounting plates to the legs using the countersunk M5 bolts provided.



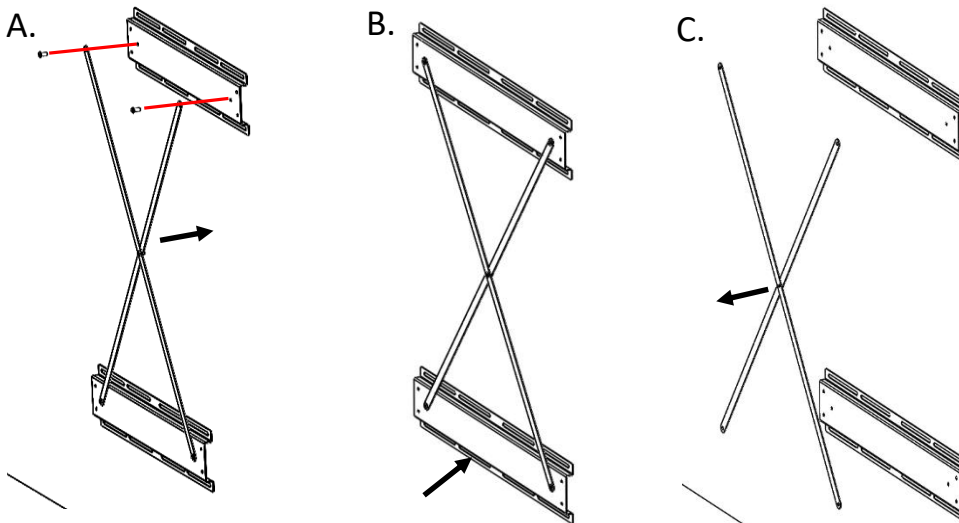
5. Fix the top mount to the wall using fixings appropriate for the wall. The diagram shows the distances from the fixing slots to the bottom of the legs as a guide.

Please note the dimensions given DO NOT include the adjustable feet

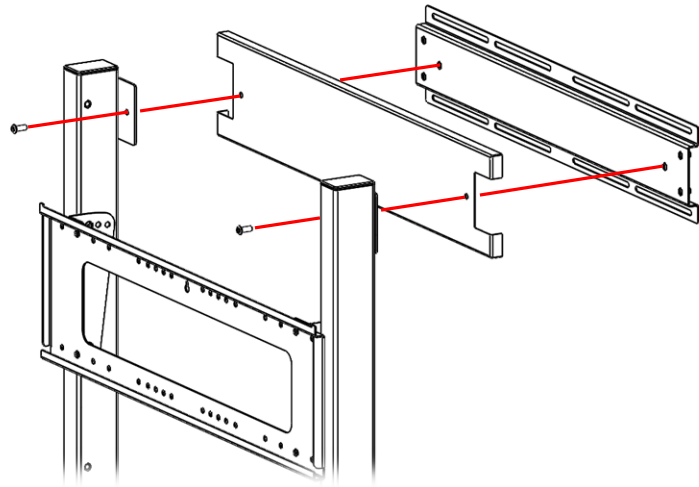
If using extension legs add 350mm to the dimensions.



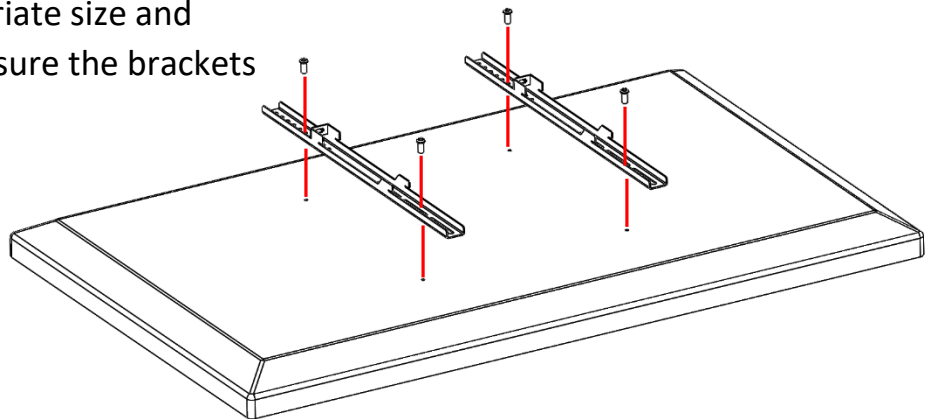
6. A. Bolt the cross members of the easy install kit to the remaining wall mount, then bolt it to the mount already on the wall.
 B. Secure the lower mount to wall using the appropriate fixings.
 C. Remove the cross members.



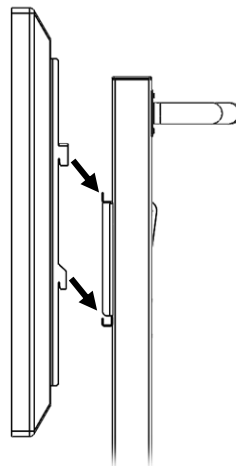
7. Bolt the mount and cover to the wall using four M8 bolts. Adjust the adjustable feet until they contact the floor.



8. Fix the brackets to the back of the screen using fixings of an appropriate size and length for your screen. Ensure the brackets are as central as possible.



9. Hook the screen onto the mount rail.



10. Secure the screen in place by fixing through the brackets into the mount plate, use the M5x50mm bolts and washers provided.

